

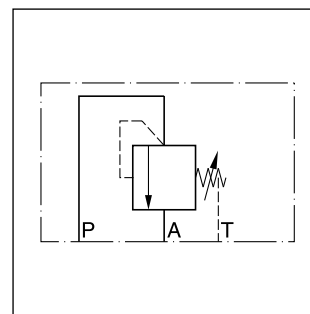
Direct operated pressure relief valve with manual adjustment. The series VB can also be used as a pressure sequence valve, because of the high pressure capability in the outlet port and the external drain port.

**Features**

- Spool type valve
- Subplate mounting according to ISO 5781
- 5 pressure stages
- 2 adjustment modes

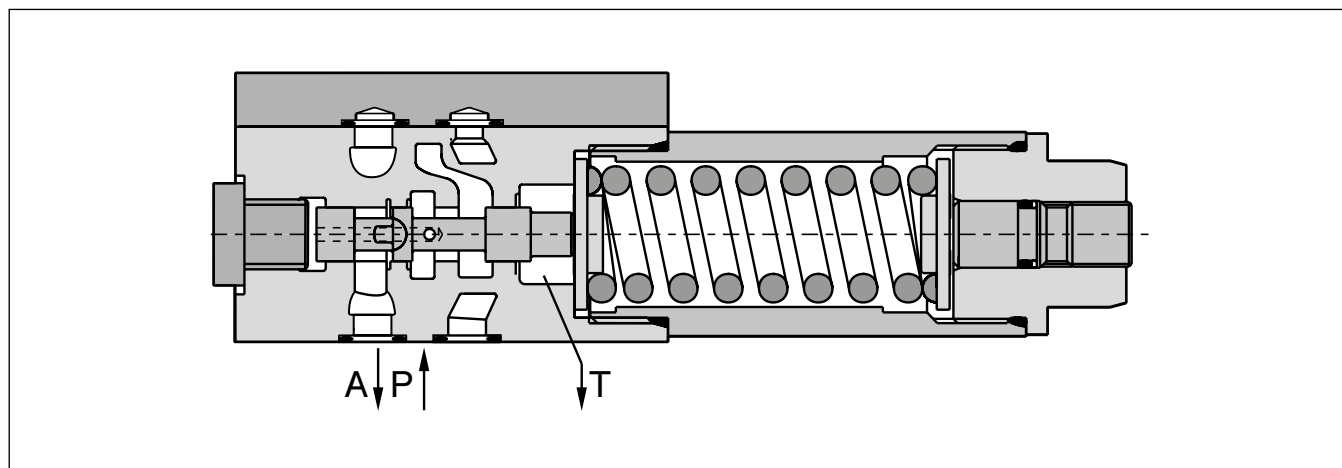


VB\*A06



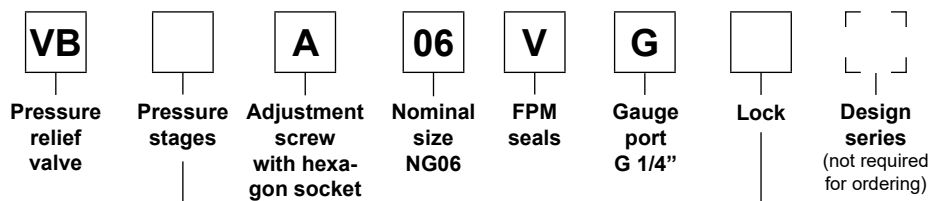
VB\*A06

**VB\*A06**



**4**

**Ordering code**



Code	Pressure stages
025	up to 25 bar
<b>064</b>	<b>up to 64 bar</b>
<b>160</b>	<b>up to 160 bar</b>
<b>210</b>	<b>up to 210 bar</b>
350	up to 350 bar

Code	Lock
<b>omit</b>	-
Z	Cylinder lock

**Bold letters =  
Short-term availability**

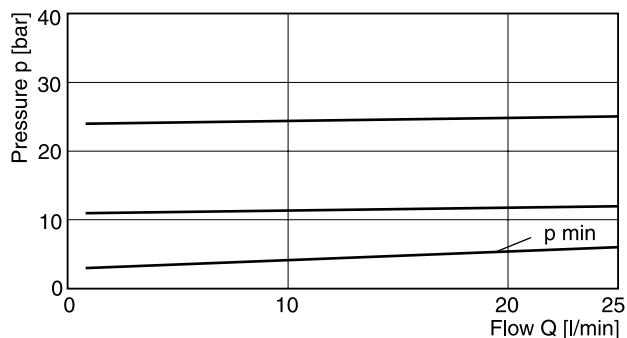
Technical Data / Characteristic Curves

General		
Design	Direct operated pressure relief valve, spool type	
Nominal size	NG06 (CETOP 03 / NFPA D03)	
Interface	Subplate mounting according to ISO 5781	
Mounting position	unrestricted	
Ambient temperature	[°C]	-20...+60
MTTF <sub>D</sub> value	[years]	150
Weight	[kg]	1.3
Hydraulic		
Max. operating pressure	[bar]	Port P and A 350 Port T depressurized
Pressure stages	[bar]	25, 64, 160, 210, 350
Nominal flow	[l/min]	25
Fluid	Hydraulic oil according to DIN 51524	
Fluid temperature	[°C]	-20...+70
Viscosity permitted	[cSt] / [mm <sup>2</sup> /s]	20...400
Viscosity recommended	[cSt] / [mm <sup>2</sup> /s]	30...80
Filtration	ISO 4406; 18/16/13	

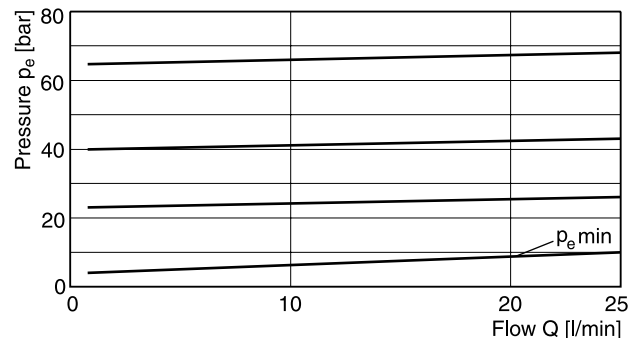
4

p/Q performance curves

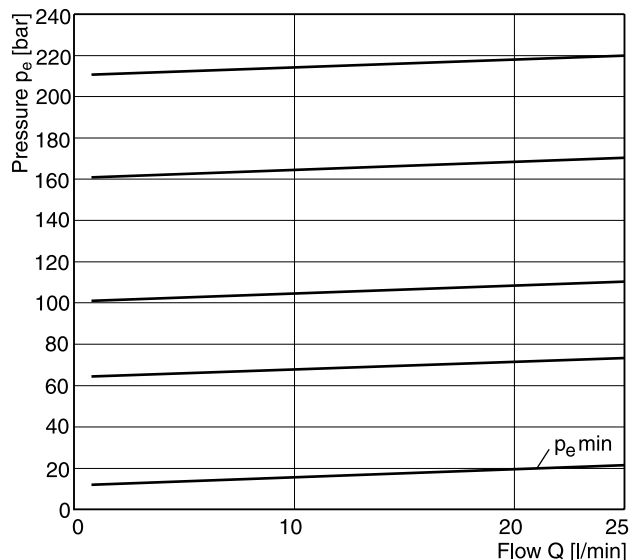
Setting pressure max. 25 bar



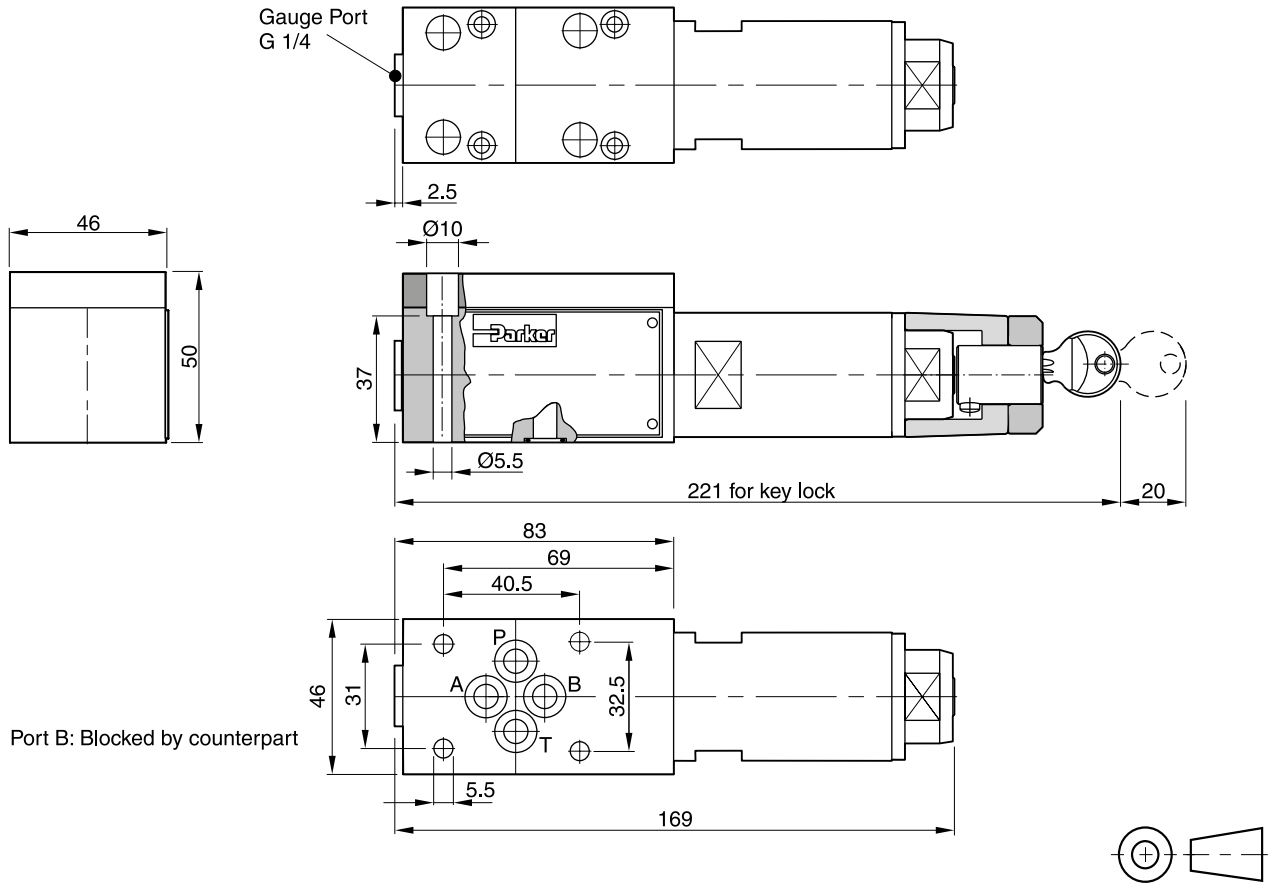
Setting pressure max. 64 bar






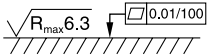
Setting pressure max. 160 or 210 bar



All characteristic curves measured with HLP46 at 50 °C.



**4**

Surface finish	Bolt kit			
	BK443	4x M5x45 ISO 4762-12.9	7.6 Nm ±15 %	SK-VB/VM/VS-A06V

**Mounting pattern ISO 5781-03-04-0-00**

